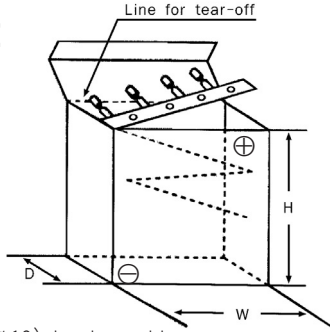


PACKING QUANTITY

MINIATURE TYPE

TAPING



Packing quantity (ø3~ø18) is changable.

Item	Inner Box (PCS)	Out Box (PCS)	Box Dimension D×W×H(mm)	
RMV ø 6.3 6L	1,500	9,000	41 × 330 × 232	
RMV ø 8	1,000	5,000	51 × 330 × 230	
RMV ø 10	500	2,500	53 × 330 × 190	
SRE ø 3, 3.5	3,000	18,000	41 × 330 × 232	
SRE, A ø 4	2,500	15,000	41 × 330 × 232	
SRE, A ø 5	2,000	12,000	41 × 330 × 232	
SRE, A ø 6.3	1,500	9,000	41 × 330 × 232	
SRE, A ø 8	1,000	6,000	41 × 330 × 232	
ø 5	2,000	10,000	51 × 330 × 230	
ø 6.3	1,500	7,500	48 × 330 × 211	
ø 8	11.5L	1,000	5,000	51 × 330 × 230
	15L	1,000	5,000	51 × 330 × 230
	20L	800	4,000	62 × 330 × 198
ø 10	16L max.	500	2,500	53 × 330 × 190
	25L max.			62 × 330 × 190
	33L max.			68 × 330 × 190
ø 12.5	25L max.	400	2,000	61 × 324 × 235
ø 16	25L max.	250	1,250	62 × 342 × 245
	35.5L max.			73 × 342 × 245
ø 18	25L max.	200	1,000	62 × 342 × 245
	35.5L max.			73 × 342 × 245

LONG AND FORMING CUT

Item	ø D×L(mm)	Terminal Conf.	Vinyl Bag (PCS)	Inner Box (PCS)	Out Box (PCS)
RMV	ø 5	Long/Forming	500	2,000	24,000
	ø 6.3X6	Long/Forming	500	2,000	24,000
	ø 8	Long	200	1,000	12,000
	ø 10	Long	100	2,000	8,000
SRE	ø 3~ø 4	Long/Forming	500	4,000	48,000
	ø 5	Long/Forming	500	3,000	36,000
	ø 6.3	Long/Forming	500	3,000	30,000
SRA	ø 4~ø 5	Long/Forming	500	3,000	36,000
	ø 6.3	Long/Forming	500	2,000	24,000
SR	ø 6×9L	Long/Forming	500	2,000	24,000
		Long	200	1,000	12,000
CM-I	ø 5	Long	200	2,000	24,000
		Forming			
	ø 6.3	Long	200	2,000	20,000
		Forming			24,000
	ø 8×11.5L	Long/Forming	200	1,000	12,000
	ø 8×15L	Long	100	500	6,000
	ø 8×20L	Long	100	500	6,000

Item	ø D×L(mm)	Terminal Conf.	Vinyl Bag (PCS)	Inner Box (PCS)	Out Box (PCS)
CM-II	ø 10 × 12~12.5L	Forming	100	2,500	10,000
		Long	100	2,000	8,000
	ø 10 × 15~16L	Forming	100	2,000	8,000
		Long	100	1,500	6,000
	ø 10 × 20L	Forming	100	1,600	6,400
		Long	100	1,200	4,800
	ø 10 × 25~33L	Forming	100	1,200	4,800
		Long	100	1,000	4,000
	ø 10 × 40L	Long	50	700	2,800
	ø 10 × 45~50L	Long	50	500	2,000
	ø 12.5 × 13L	Forming	100	1,500	6,000
		Long	100	1,500	6,000
	ø 12.5 × 15~16L	Forming	100	1,000	4,000
		Long	100	1,000	4,000
	ø 12.5 × 20~25L	Forming	100	1,000	4,000
		Long	100	800	3,200
	ø 12.5 × 30~35L	Forming	50	600	2,400
		Long	50	500	2,000
	ø 12.5 × 40~42.5L	Forming	50	500	2,000
		Long	50	400	1,600
	ø 12.5 × 45~50L	Long	50	400	1,600
	ø 12.5 × 60L	Long	50	300	1,200
	ø 16 × 15L	Forming	50	600	2,400
		Long	50	600	2,400
	ø 16 × 20~25L	Forming	50	600	2,400
		Long	50	500	2,000
	ø 16 × 31.5~35.5L	Forming	50	400	1,600
		Long	50	400	1,600
ø 16 × 40L	Forming	50	400	1,600	
	Long	25	250	1,000	
ø 16 × 45L	Forming	-	200	800	
	Long	25	200	1,000	
ø 16 × 50L	Forming	-	200	800	
	Long	20	200	800	
ø 18 × 20~25L	Forming	50	400	1,600	
	Long	50	400	1,600	
ø 18 × 30~40L	Forming	25	300	1,200	
	Long	25	250	1,000	
ø 18 × 45~50L	Long	20	200	800	
	Forming	-	150	600	
ø 20 × 40L	Long	20	160	640	
	Forming	-	100	400	
ø 22 × 20~30L	Long	20	200	800	
	Forming	-	100	400	
ø 22 × 35~40L	Forming	-	100	400	
	Long	20	160	640	
ø 22 × 45L	Forming	-	100	400	
	Long	20	160	640	
ø 22 × 50L	Long	15	120	480	
	Forming	-	100	400	
ø 25.4 × 25L	Long	15	160	640	
	Forming	-	100	400	
ø 25.4 × 30L	Long	15	120	480	
	Forming	-	100	400	
ø 25.4 × 35L	Long	15	120	480	
	Forming	-	100	400	
ø 25.4 × 40L	Long	15	120	480	
	Forming	-	100	400	
ø 25.4 × 45~50L	Long	15	120	480	
	Forming	-	100	400	



GENERAL PACKAGE

Size		Terminal Config.	Product Q'ty Per Inner Box(pcs)	Product Q'ty Per Out Box(pcs)
∅ D(mm)	L(mm)			
14.5	35	LA	320	1,280
16	25~45		250	1,000
	50		250	750
20	25~45	LA, VN, VS	150	600
	50		150	450
22~30	15~45		100	400
	50~65		100	300
35~40	15~45	VN, VS, VR, LA, LR, LI	50	200
	50~60		50	150
35	70~80		80	160
40	70~80		50	100
35	-	LA, LG, LR	-	50
50	-		-	32
63.5~89	-		-	10
100	-		LG	-