

TDC Series

• 105°C 2,000Hrs assured.

- Non-solvent proof.
- Downsized.
- For SMPS, Inverter.
- RoHS compliant.
- Halogen-free capacitors are also available.



SPECIFICATIONS

Item	Characteristics						
Rated Voltage Range	160 ~ 500 V _{DC}						
Operating Temperature Range	-25 ~ +105°C						
Capacitance Tolerance	±20% (M) (at 20°C, 120Hz)						
Leakage Current	I = 0.02CV or 3mA, whichever is smaller. Where, I: Leakage current(µA) C: Nominal capacitance(µF) V: Rated voltage(V _{DC}) (at 20°C, 5 minutes)						
※ Dissipation Factor(Tanδ)	<table border="1"> <tr> <td>Rated Voltage(V_{DC})</td> <td>160~400</td> <td>420~500</td> </tr> <tr> <td>Tanδ(Max.)</td> <td>0.15</td> <td>0.20</td> </tr> </table> (at 20°C, 120Hz)	Rated Voltage(V _{DC})	160~400	420~500	Tanδ(Max.)	0.15	0.20
Rated Voltage(V _{DC})	160~400	420~500					
Tanδ(Max.)	0.15	0.20					
Temperature Characteristics (Max.Impedance ratio)	<table border="1"> <tr> <td>Rated Voltage(V_{DC})</td> <td>160~400</td> <td>420~500</td> </tr> <tr> <td>Z(-25°C)/Z(20°C)</td> <td>4</td> <td>8</td> </tr> </table> (at 120Hz)	Rated Voltage(V _{DC})	160~400	420~500	Z(-25°C)/Z(20°C)	4	8
Rated Voltage(V _{DC})	160~400	420~500					
Z(-25°C)/Z(20°C)	4	8					
Load Life	<p>The following specifications shall be satisfied when the capacitors are restored to 20°C after the rated voltage is applied for 2,000 hours at 105°C.</p> <p>Capacitance change ≤ ±20% of the initial value Tanδ ≤ 200% of the initial specified value Leakage Current ≤ The initial specified value</p>						
Shelf Life	<p>The following specifications shall be satisfied when the capacitors are restored to 20°C after the exposing them at 105°C for 1,000 hours without voltage applied. The rated voltage shall be applied to the capacitors for a minimum of 30 minutes, at least 24 hours and not more than 48 hours before the measurements.</p> <p>Capacitance change ≤ ±20% of the initial value Tanδ ≤ 200% of the initial specified value Leakage Current ≤ The initial specified value</p>						
Others	Satisfied characteristics KS C IEC 60384-4						

※ For capacitors with CV products > 100,000 Higher Tanδ value may apply.
 When the capacitance exceeds 1,000µF, 0.01 shall be added every 1,000µF increase.

RATED RIPPLE CURRENT

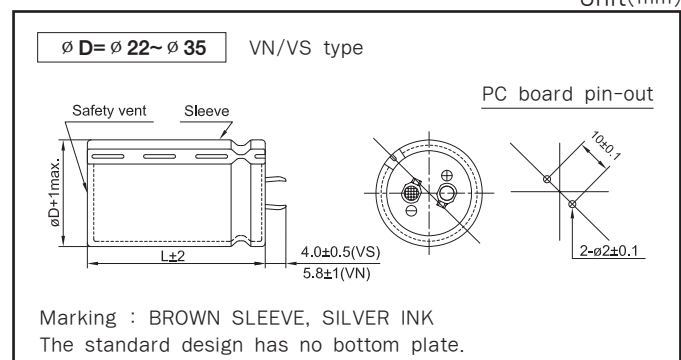
When capacitors are operated in any other condition at 120Hz, the maximum ripple current must be multiplied by the figure shown in the table.

Frequency multiplying factor

V _{DC} \ Freq.(Hz)	60	120	300	1k	10k~
160~250V _{DC}	0.81	1.00	1.17	1.32	1.45
315~500V _{DC}	0.77	1.00	1.16	1.30	1.41

DIMENSIONS OF TDC Series

Unit(mm)



RATINGS OF TDC Series

μF	V _{DC} ∅ D	160				200				250			
		22	25.4	30	35	22	25.4	30	35	22	25.4	30	35
180										22 × 20 0.78			
220										22 × 25 1.00	25.4 × 20 0.95		
270					22 × 25 1.20						25.4 × 20 1.10		
330		22 × 20 1.20			22 × 25 1.28	25.4 × 20 1.27					25.4 × 25 1.20	30 × 20 1.26	35 × 20 1.30
390		22 × 25 1.32	25.4 × 20 1.39	30 × 20 1.31	22 × 25 1.31	25.4 × 20 1.43	30 × 20 1.43					30 × 25 1.44	35 × 20 1.49
470		22 × 30 1.46	25.4 × 25 1.51	30 × 20 1.54	22 × 30 1.45	25.4 × 25 1.53	30 × 20 1.53					30 × 25 1.57	35 × 20 1.57
560		22 × 30 1.66	25.4 × 25 1.68	30 × 25 1.68	22 × 40 1.67	25.4 × 30 1.67	30 × 25 1.67	35 × 20 1.67				30 × 30 1.80	35 × 25 1.72
680		22 × 35 1.87	25.4 × 30 1.88	30 × 25 1.96	22 × 45 1.75	25.4 × 35 1.75	30 × 25 1.74	35 × 20 1.72				30 × 30 1.94	35 × 30 2.10
820		22 × 40 2.09	25.4 × 30 2.14	30 × 25 2.15	35 × 25 2.04	22 × 50 2.04	25.4 × 40 2.04	30 × 30 2.04	35 × 25 2.04			30 × 35 2.29	35 × 30 2.36
1,000			25.4 × 35 2.38	30 × 30 2.40	35 × 25 2.55			30 × 35 2.30	35 × 30 2.30			30 × 45 2.59	35 × 35 2.63
1,200			25.4 × 40 2.66	30 × 35 2.69	35 × 30 2.86				35 × 30 2.65				

μF	V _{DC} ∅ D	315				350				400			
		22	25.4	30	35	22	25.4	30	35	22	25.4	30	35
82										22 × 20 0.55			
100		22 × 25 0.75								22 × 25 0.66	25.4 × 20 0.67		
120		22 × 25 0.82				22 × 25 0.72					25.4 × 25 0.76		
150		22 × 30 0.91	25.4 × 25 0.94			22 × 30 0.84	25.4 × 25 0.89				25.4 × 25 0.86	30 × 20 0.89	
180			25.4 × 25 1.13			22 × 35 0.98	25.4 × 30 0.94				25.4 × 30 0.97	30 × 25 1.02	35 × 20 1.02
220			25.4 × 30 1.19	30 × 25 1.17		22 × 40 1.04	25.4 × 30 1.07	30 × 25 1.13			25.4 × 35 1.12	30 × 30 1.12	35 × 20 1.11
270			25.4 × 40 1.41	30 × 30 1.28	35 × 20 1.30		25.4 × 35 1.24	30 × 30 1.27			25.4 × 40 1.26	30 × 30 1.27	35 × 25 1.27
330				30 × 35 1.40	35 × 30 1.49		25.4 × 40 1.39	30 × 35 1.43	35 × 25 1.49		25.4 × 45 1.44	30 × 35 1.43	35 × 30 1.44
390				30 × 40 1.44	35 × 30 1.64		25.4 × 50 1.55	30 × 40 1.60	35 × 30 1.66		25.4 × 50 1.51	30 × 40 1.60	35 × 30 1.63
470				30 × 45 1.71	35 × 35 1.82		25.4 × 50 1.72	30 × 45 1.81	35 × 30 1.83			30 × 45 1.81	35 × 35 1.80
560					35 × 40 2.00				35 × 35 2.07	← Case Size ∅ D × L (mm) ← Rated Ripple Current (Arms/105°C, 120Hz)			



LARGE SIZED ALUMINUM ELECTROLYTIC CAPACITORS

RATINGS OF TDC Series

V _{DC} μF / ∅ D	420				450				500				
	22	25.4	30	35	22	25.4	30	35	22	25.4	30	35	
68					22 × 20 0.50					22 × 35 0.50			
82	22 × 20 0.58				22 × 25 0.59	25.4 × 25 0.62				22 × 40 0.53	25.4 × 30 0.55		
100	22 × 25 0.66	25.4 × 25 0.69				25.4 × 25 0.70				22 × 45 0.61	25.4 × 35 0.64		
120	22 × 30 0.75	25.4 × 25 0.77	30 × 20 0.75			25.4 × 30 0.75				22 × 50 0.66	25.4 × 40 0.71	30 × 30 0.73	
150	22 × 40 0.86	25.4 × 30 0.88	30 × 25 0.88			25.4 × 30 0.88	30 × 25 0.87				25.4 × 45 0.81	30 × 35 0.80	
180	22 × 45 0.96	25.4 × 35 0.97	30 × 30 1.02	35 × 20 1.05		25.4 × 35 1.01	30 × 25 1.00				25.4 × 50 0.86	30 × 40 0.93	35 × 30 0.95
220	22 × 50 1.11	25.4 × 40 1.14	30 × 30 1.14	35 × 25 1.12			30 × 35 1.10					30 × 45 0.94	35 × 35 0.98
270		25.4 × 45 1.29	30 × 40 1.30	35 × 30 1.35			30 × 40 1.24	35 × 30 1.25				30 × 50 1.07	35 × 40 1.13
330			30 × 45 1.48	35 × 35 1.49				35 × 35 1.42				30 × 60 1.28	35 × 45 1.29
390				35 × 40 1.64				35 × 40 1.63					35 × 50 1.47
470				35 × 45 1.79				35 × 45 1.78					35 × 60 1.71

← Case Size ∅ D × L (mm)
 ← Rated Ripple Current (Arms/105°C, 120Hz)