

BXQ Series

• 105°C 2,000Hrs assured.

- Solvent proof.
- Ultra low ESR.
- For STB, Tuner, Car.
- RoHS compliant.
- Halogen-free capacitors are also available.

Solvent-proof

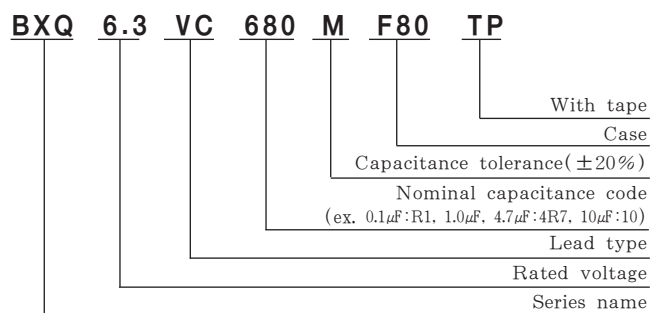


SPECIFICATIONS

Item	Characteristics																					
Rated Voltage Range	6.3 ~ 50 V _{DC}																					
Operating Temperature Range	-55 ~ +105°C																					
Capacitance Tolerance	±20% (M) (at 20°C, 120Hz)																					
Leakage Current	I = 0.01CV(μA) or 3μA, whichever is greater. Where, I: Max. Leakage current(μA), C: Nominal capacitance(μF), V: Rated voltage(V _{DC}) (at 20°C, 2 minutes)																					
Dissipation Factor (Tanδ)	<table border="1" style="width: 100%; border-collapse: collapse; text-align: center;"> <tr> <td>Rated Voltage(V_{DC})</td> <td>6.3</td> <td>10</td> <td>16</td> <td>25</td> <td>35</td> <td>50</td> </tr> <tr> <td>Tanδ (Max.)</td> <td>0.26</td> <td>0.19</td> <td>0.16</td> <td>0.14</td> <td>0.12</td> <td>0.12</td> </tr> </table> (at 20°C, 120Hz)	Rated Voltage(V _{DC})	6.3	10	16	25	35	50	Tanδ (Max.)	0.26	0.19	0.16	0.14	0.12	0.12							
Rated Voltage(V _{DC})	6.3	10	16	25	35	50																
Tanδ (Max.)	0.26	0.19	0.16	0.14	0.12	0.12																
Temperature Characteristics (Max. Impedance ratio)	<table border="1" style="width: 100%; border-collapse: collapse; text-align: center;"> <tr> <td>Rated voltage(V_{DC})</td> <td>6.3</td> <td>10</td> <td>16</td> <td>25</td> <td>35</td> <td>50</td> </tr> <tr> <td>Z(-25°C)/Z(+20°C)</td> <td>2</td> <td>2</td> <td>2</td> <td>2</td> <td>2</td> <td>2</td> </tr> <tr> <td>Z(-55°C)/Z(+20°C)</td> <td>4</td> <td>4</td> <td>4</td> <td>3</td> <td>3</td> <td>3</td> </tr> </table> (at 120Hz)	Rated voltage(V _{DC})	6.3	10	16	25	35	50	Z(-25°C)/Z(+20°C)	2	2	2	2	2	2	Z(-55°C)/Z(+20°C)	4	4	4	3	3	3
Rated voltage(V _{DC})	6.3	10	16	25	35	50																
Z(-25°C)/Z(+20°C)	2	2	2	2	2	2																
Z(-55°C)/Z(+20°C)	4	4	4	3	3	3																
Load Life	<p>The following specifications shall be satisfied when the capacitors are restored to 20°C after the rated voltage is applied at 105°C for 2,000hours.</p> <p>Capacitance change ≤ ±30 % of the initial value Tanδ ≤ 300 % of the initial specified value Leakage current ≤ The initial specified value</p>																					
Shelf Life	<p>The following specifications shall be satisfied when the capacitors are restored to 20°C after exposing them for 1,000 hours at 105°C without voltage applied. The rated voltage shall be applied to the capacitors for a minimum of 30 minutes, at least 24 hours and not more than 48 hours before the measurements.</p> <p>Capacitance change ≤ ±30 % of the initial value Tanδ ≤ 300 % of the initial specified value Leakage current ≤ The initial specified value</p>																					
Others	Satisfied characteristics KS C IEC 60384-4																					

BXQ Series

PART NUMBERING SYSTEM



RATED RIPPLE CURRENT MULTIPLIERS

Frequency Multipliers

Cap.(μF)	Freq.(Hz)			
	120	1K	10K	100K
100 ~ 150	0.40	0.75	0.90	1.00
220 ~ 560	0.50	0.85	0.94	1.00
680 ~ 2,200	0.60	0.87	0.95	1.00

DIMENSIONS OF BXQ Series

Unit(mm)

DIMENSIONS

<Size code : F80~J10>

● Vibration Resistance

<Size code : H10~J10>

MARKING

Recommended solder land on PC board

▨ : Solder land on PC board

Note 1 : L±0.5 for 8×10(H10)~10×10(J10)
 Note 2 : 6.3WV is marked by 6V.

Case code	φD	L	A	B	C	W	P	a	b	c	a	b	c
F80	6.3	7.7	6.6	6.6	7.2	0.5~0.8	1.9	1.9	3.5	1.6			
H10	8	10	8.3	8.3	9.0	0.7~1.1	3.1	3.1	4.2	2.2	3.1	4.2	3.5
J10	10	10	10.3	10.3	11.0	0.7~1.1	4.5	4.5	4.4	2.2	4.5	4.4	3.5

● Vibration Resistance → ↑

RATINGS OF BXQ Series

VDC	Cap.(μF)	Case code	ESR (Ω max. / 20°C, 100kHz)	Rated Ripple Current (mArms / 105°C, 100kHz)
6.3	680	F80	0.16	600
	1,500	H10	0.08	850
	2,200	J10	0.06	1,190
10	470	F80	0.16	600
	1,000	H10	0.08	850
	1,500	J10	0.06	1,190
16	330	F80	0.16	600
	680	H10	0.08	850
	1,000	J10	0.06	1,190
25	220	F80	0.16	600
	470	H10	0.08	850
	820	J10	0.06	1,190
35	150	F80	0.16	600
	330	H10	0.08	850
	560	J10	0.06	1,190
50	100	F80	0.34	350
	220	H10	0.18	670
	330	J10	0.12	900