

BXJ Series

• 105°C 2,000~5,000Hrs assured.

- Vertical SMD type.
- Very low Impedance, Long Life.
- For STB, Tuner.
- RoHS compliant.
- Halogen-free capacitors are also available.

Solvent-proof

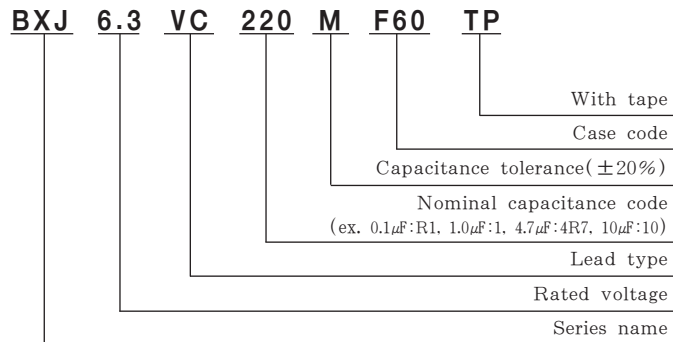
 $WV \leq 63V_{DC}$


SPECIFICATIONS

Item	Characteristics																												
Rated Voltage Range	6.3 ~ 50V _{DC}	63 ~ 100V _{DC}																											
Operating Temperature Range	-55 ~ +105°C	-40 ~ +105°C																											
Capacitance Tolerance	±20%(M) (at 20°C, 120Hz)																												
Leakage Current	I = 0.01CV(μA) or 3μA, whichever is greater. Where, I: Max. Leakage current(μA), C: Nominal capacitance(μF), V: Rated voltage(V _{DC}) (at 20°C, 2 minutes)																												
Dissipation Factor (Tanδ)	<table border="1" style="width: 100%; border-collapse: collapse; text-align: center;"> <tr> <td style="font-size: small;">Rated Voltage(V_{DC})</td> <td>6.3</td><td>10</td><td>16</td><td>25</td><td>35</td><td>50</td><td>63</td><td>100</td> </tr> <tr> <td style="font-size: small;">Tanδ (Max.)</td> <td>0.26</td><td>0.19</td><td>0.16</td><td>0.14</td><td>0.12</td><td>0.12</td><td>0.12</td><td>0.12</td> </tr> </table> (at 20°C, 120Hz)		Rated Voltage(V _{DC})	6.3	10	16	25	35	50	63	100	Tanδ (Max.)	0.26	0.19	0.16	0.14	0.12	0.12	0.12	0.12									
Rated Voltage(V _{DC})	6.3	10	16	25	35	50	63	100																					
Tanδ (Max.)	0.26	0.19	0.16	0.14	0.12	0.12	0.12	0.12																					
Temperature Characteristics (Max. Impedance ratio)	<table border="1" style="width: 100%; border-collapse: collapse; text-align: center;"> <tr> <td style="font-size: small;">Rated voltage(V_{DC})</td> <td>6.3</td><td>10</td><td>16</td><td>25</td><td>35</td><td>50</td><td>63</td><td>100</td> </tr> <tr> <td style="font-size: small;">Z(-25°C)/Z(+20°C)</td> <td>3</td><td>2</td><td>2</td><td>2</td><td>2</td><td>2</td><td>3</td><td>3</td> </tr> <tr> <td style="font-size: small;">Z(-55°C)/Z(+20°C)</td> <td>5</td><td>4</td><td>4</td><td>3</td><td>3</td><td>3</td><td>※4</td><td>※4</td> </tr> </table> ※Z(-40°C)/Z(+20°C) (at 120Hz)		Rated voltage(V _{DC})	6.3	10	16	25	35	50	63	100	Z(-25°C)/Z(+20°C)	3	2	2	2	2	2	3	3	Z(-55°C)/Z(+20°C)	5	4	4	3	3	3	※4	※4
Rated voltage(V _{DC})	6.3	10	16	25	35	50	63	100																					
Z(-25°C)/Z(+20°C)	3	2	2	2	2	2	3	3																					
Z(-55°C)/Z(+20°C)	5	4	4	3	3	3	※4	※4																					
Load Life	The following specifications shall be satisfied when the capacitors are restored to 20°C after the rated voltage is applied with the following conditions. D56~H63, J85 : 105°C, 2,000 hours, H10 ~ K14 : 105°C, 5,000 hours. Capacitance change D56~H63, J85 ≤ ±30% of the initial value H10~K14 ≤ ±35% of the initial value Tanδ ≤ 300% of the initial specified value Leakage current ≤ The initial specified value																												
Shelf Life	The following specifications shall be satisfied when the capacitors are restored to 20°C after exposing them for 1,000 hours at 105°C without voltage applied. The rated voltage shall be applied to the capacitors for a minimum of 30 minutes, at least 24 hours and not more than 48 hours before the measurements. Capacitance change D56~H63, J85 ≤ ±30% of the initial value H10~K14 ≤ ±35% of the initial value Tanδ ≤ 300% of the initial specified value Leakage current ≤ The initial specified value																												
Others	Satisfied characteristics KS C IEC 60384-4																												

BXJ Series

PART NUMBERING SYSTEM



RATED RIPPLE CURRENT MULTIPLIERS

Frequency Multipliers

Size code	Cap.(μF)	Freq.(Hz)			
		120	1K	10K	100K
D56 ~ J10	4.7	0.35	0.70	0.90	1.00
	10 ~ 100	0.40	0.75	0.90	1.00
	220 ~ 470	0.50	0.85	0.94	1.00
	1,000 ~ 1,500	0.60	0.87	0.95	1.00
K14	47 ~ 100	0.40	0.75	0.90	1.00
	330 ~ 470	0.50	0.85	0.94	1.00
	680 ~ 2,000	0.60	0.87	0.95	1.00

DIMENSIONS OF BXJ Series

Unit(mm)

DIMENSIONS

● Vibration Resistance

<Size code: D56~K14> <Size code: H10~K14>

: Dummy terminals
Recommended solder land on PC board
 : Solder land on PC board

MARKING

Note 1 : L±0.5 for 8×6.3(H63)~12.5×13.5(K14)
 Note 2 : 4×5.3(D56), 4×5.8(D61), 5×5.3(E56), 5×5.8(D61) is excluded symbol mark.
 Note 3 : 6.3WV is marked by 6V.

Case code	φD	L	A	B	C	W	P	a	b	c	a	b	c
D56	4	5.3	4.3	4.3	5.1	0.5-0.8	1.0	1.0	2.6	1.6			
D61	4	5.8	4.3	4.3	5.1	0.5-0.8	1.0	1.0	2.6	1.6			
E56	5	5.3	5.3	5.3	5.9	0.5-0.8	1.4	1.4	3.0	1.6			
E61	5	5.8	5.3	5.3	5.9	0.5-0.8	1.4	1.4	3.0	1.6			
F55	6.3	5.2	6.6	6.6	7.2	0.5-0.8	1.9	1.9	3.5	1.6			
F60	6.3	5.7	6.6	6.6	7.2	0.5-0.8	1.9	1.9	3.5	1.6			
F80	6.3	7.7	6.6	6.6	7.2	0.5-0.8	1.9	1.9	3.5	1.6			
H63	8	6.3	8.3	8.3	9.0	0.5-0.8	2.3	2.3	4.5	1.6			
H10	8	10	8.3	8.3	9.0	0.7-1.1	3.1	3.1	4.2	2.2	3.1	4.2	3.5
J85	10	8.5	10.3	10.3	11.0	0.7-1.1	4.5	4.5	4.4	2.2			
J10	10	10	10.3	10.3	11.0	0.7-1.1	4.5	4.5	4.4	2.2	4.5	4.4	3.5
K14	12.5	13.5	13.0	13.0	13.7	1.0-1.3	4.2	4.0	5.7	2.5	3.4	6.3	9.3

● Vibration Resistance ↑

RATINGS OF BXJ Series

μF	V _{DC} 6.3			10			16			25			35			50			63			100								
	Case	μF	μF	Case	μF	μF	Case	μF	μF	Case	μF	μF	Case	μF	μF	Case	μF	μF	Case	μF	μF	Case	μF	μF						
4.7													D56	1.80	85	D61	5.50	45												
													E56	3.00	55	E61	2.00	50							H63	1.80	85			
10													E56	0.80	155	F60	1.20	120							J85	1.35	100			
													F60	1.20	120	F60	1.20	120	F60	4.50	48				H10	1.50	160			
22				D56	1.80	85	D56	1.80	85	D56	1.80	85	E61	0.70	160	F60	1.20	120	F60	4.50	48				H10	1.50	160			
				E56	0.80	155	E56	0.80	155	E56	0.80	155	F55	0.55	220	F60	1.20	120	F60	4.50	48				H10	1.50	160			
33	D56	1.80	85	D61	1.35	90	E56	0.80	155	E56	0.80	155	F60	0.36	240	F80	0.90	150	H63	1.50	100				J10	0.60	330			
	E56	0.80	155	E61	0.70	160	E61	0.70	160	E61	0.70	160	F60	0.36	240	F80	0.90	150	H10	1.00	200				J10	0.60	330			
47	D61	1.35	90	E61	0.70	160	F60	0.36	240	F60	0.36	240	F60	0.36	240	H63	0.75	200	J85	0.95	205				K14	0.40	400			
	E56	0.80	155	F60	0.36	240	E61	0.70	160	F55	0.55	220	F60	0.36	240	H63	0.75	200	J85	0.95	205				K14	0.40	400			
68	E61	0.70	160	E61	0.70	160	F60	0.36	240	F60	0.36	240	F60	0.36	240	F80	0.34	280	H10	0.44	300	H10	1.00	200				K14	0.40	400
	F60	0.36	240	F60	0.36	240	F60	0.36	240	F60	0.36	240	F60	0.36	240	H63	0.26	300	H10	1.00	200				K14	0.40	400			
100	E61	0.70	160	F60	0.36	240	F60	0.36	240	F60	0.36	240	H10	0.16	600	H10	0.44	300												
	F60	0.36	240	F60	0.36	240	F60	0.36	240	F60	0.36	240	J85	0.15	620	J85	0.40	315	J10	0.50	350				K14	0.40	400			
220	F60	0.36	240	F80	0.34	280	F60	0.36	240	F60	0.36	240	H63	0.26	300	J10	0.25	500	J10	0.50	350									
	F60	0.36	240	F80	0.34	280	F60	0.36	240	F60	0.36	240	H10	0.16	600	J10	0.25	500	J10	0.50	350									
330	F80	0.34	280	H10	0.16	600	F80	0.34	280	J85	0.15	620	H10	0.16	600	H10	0.16	600												
	F80	0.34	280	H10	0.16	600	F80	0.34	280	H10	0.16	600	H10	0.16	600	H10	0.16	600												
470	H10	0.16	600	H10	0.16	600	J85	0.15	620	J10	0.08	850	J10	0.08	850	J10	0.08	850												
	J85	0.15	620	J85	0.15	620	H10	0.16	600	J10	0.08	850	K14	0.06	1,100	K14	0.06	1,100												
1,000	H10	0.16	600	J10	0.08	850	J10	0.08	850	J10	0.08	850																		
	J10	0.08	850	K14	0.06	1,100	K14	0.06	1,100	K14	0.06	1,100																		
1,500	J10	0.08	850	K14	0.06	1,100	K14	0.06	1,100	K14	0.06	1,100																		
2,200	K14	0.06	1,100	K14	0.06	1,100																								

↑ Rated Ripple Current (mArms/105°C, 100kHz)
 ↑ Impedance (Ω max./20°C, 100kHz)
 ↑ Case code