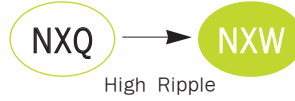


## NXW Series

• 105°C 9,000~10,000Hrs assured.

- Non-solvent proof.
- Low Impedance, High ripple
- For LED TV BLU Inverter, IP-Board, Adaptor, LED Lighting
- RoHS compliant.
- Halogen-free capacitors are also available.

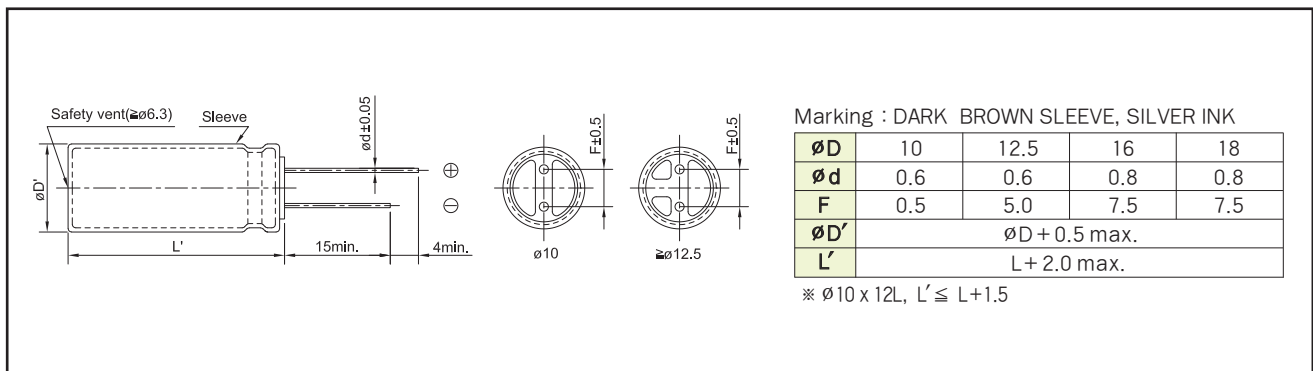


### SPECIFICATIONS

Item	Characteristics														
Rated Voltage Range	6.3 ~ 50 V <sub>DC</sub>														
Operating Temperature Range	-40 ~ +105°C														
Capacitance Tolerance	±20% (M) (at 20°C, 120Hz)														
Leakage Current	I = 0.01CV(μA) or 3μA, whichever is greater. Where, I : Max. Leakage current(μA), C : Nominal capacitance(μF), V : Rated voltage(V <sub>DC</sub> ) (at 20°C, 2minutes)														
Dissipation Factor(Tanδ)	<table border="1"> <tr> <td>Rated voltage(V<sub>DC</sub>)</td> <td>6.3</td> <td>10</td> <td>16</td> <td>25</td> <td>35</td> <td>50</td> </tr> <tr> <td>Tanδ(Max.)</td> <td>0.22</td> <td>0.19</td> <td>0.16</td> <td>0.14</td> <td>0.12</td> <td>0.10</td> </tr> </table> <p>Where the capacitance exceeds 1,000μF, 0.02 shall be added every 1,000μF increase (at 20°C, 120Hz)</p>	Rated voltage(V <sub>DC</sub> )	6.3	10	16	25	35	50	Tanδ(Max.)	0.22	0.19	0.16	0.14	0.12	0.10
Rated voltage(V <sub>DC</sub> )	6.3	10	16	25	35	50									
Tanδ(Max.)	0.22	0.19	0.16	0.14	0.12	0.10									
Temperature Characteristics (Max. Impedance ratio)	<table border="1"> <tr> <td>Z(-25°C)/Z(+20°C)</td> <td>2</td> </tr> <tr> <td>Z(-40°C)/Z(+20°C)</td> <td>3</td> </tr> </table> <p>(at 120Hz)</p>	Z(-25°C)/Z(+20°C)	2	Z(-40°C)/Z(+20°C)	3										
Z(-25°C)/Z(+20°C)	2														
Z(-40°C)/Z(+20°C)	3														
Load Life	<p>The following specifications shall be satisfied when the capacitors are restored to 20°C after the rated voltage with the rated ripple current is applied (the peak voltage shall not exceed the rated voltage) for 10,000 hours at 105°C. (Where, 9,000 hours for ø10 X 12~12.5L)</p> <p>Capacitance change ≤ ±30 % of the initial value  tan δ ≤ 200 % of the initial specified value  Leakage current ≤ The initial specified value</p>														
Shelf Life	<p>The following specifications shall be satisfied when the capacitors are restored to 20°C after exposing them for 500 hours at 105°C without voltage applied. The rated voltage shall be applied to the capacitors for a minimum of 30 minutes, at least 24 hours and not more than 48 hours before the measurements.</p> <p>Capacitance change ≤ ±30 % of the initial value  tan δ ≤ 200 % of the initial specified value  Leakage current ≤ The initial specified value</p>														
Others	Satisfied characteristics KS C IEC 60384-4														

### DIMENSIONS OF NXW Series

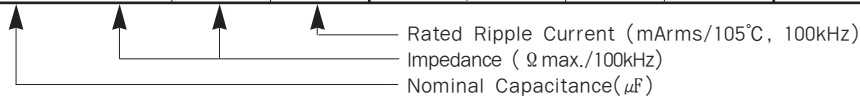
Unit(mm)



**RATINGS OF NXW Series**

V <sub>DC</sub> ∅D×L(mm)	6.3				10				16			
	μF	IMP.		Ripple	μF	IMP.		Ripple	μF	IMP.		Ripple
		20°C	-10°C			20°C	-10°C			20°C	-10°C	
10 × 12	1,200	0.045	0.14	1,620	820	0.045	0.14	1,836	680	0.045	0.14	1,836
10 × 12.5	1,200	0.045	0.14	1,620	820	0.045	0.14	1,836	680	0.045	0.14	1,836
10 × 16	1,800	0.032	0.10	1,901	1,200	0.032	0.10	2,160	1,000	0.032	0.10	2,160
10 × 20	2,700	0.024	0.074	2,117	1,800	0.024	0.074	2,700	1,500	0.0238	0.074	2,700
10 × 25	3,300	0.020	0.063	2,430	2,200	0.020	0.063	3,132	1,800	0.020	0.063	3,132
12.5 × 20	3,900	0.021	0.066	2,678	2,700	0.021	0.066	2,808	2,200	0.021	0.066	2,808
12.5 × 25	4,700	0.016	0.050	3,132	3,300	0.016	0.050	3,294	2,700	0.016	0.050	3,294
12.5 × 30	5,600	0.015	0.047	3,726	4,700	0.015	0.047	3,780	3,300	0.015	0.047	3,780
12.5 × 35	6,800	0.014	0.042	3,856	5,600	0.014	0.042	3,888	3,900	0.014	0.042	3,888
16 × 20	6,800	0.018	0.055	3,413	4,700	0.018	0.055	3,413	3,300	0.018	0.055	3,413
16 × 25	8,200	0.014	0.045	3,812	5,600	0.014	0.045	3,812	4,700	0.014	0.045	3,812

V <sub>DC</sub> ∅D×L(mm)	25				35				50			
	μF	IMP.		Ripple	μF	IMP.		Ripple	μF	IMP.		Ripple
		20°C	-10°C			20°C	-10°C			20°C	-10°C	
10 × 12	470	0.045	0.14	1,836	270	0.045	0.14	1,836	150	0.062	0.19	1,382
10 × 12.5	470	0.045	0.14	1,836	270	0.045	0.14	1,836	150	0.062	0.19	1,382
10 × 16	680	0.032	0.10	2,160	390	0.032	0.10	2,160	220	0.045	0.14	1,782
10 × 20	1,000	0.024	0.074	2,700	560	0.024	0.074	2,700	330	0.032	0.10	3,305
10 × 25	1,200	0.020	0.063	3,132	680	0.020	0.063	3,132	390	0.027	0.08	2,419
12.5 × 20	1,500	0.021	0.066	2,808	820	0.021	0.066	2,808	470	0.027	0.08	2,376
12.5 × 25	1,800	0.016	0.050	3,294	1,200	0.016	0.050	3,294	680	0.021	0.066	2,700
12.5 × 30	2,200	0.015	0.047	3,780	1,500	0.015	0.047	3,780	820	0.020	0.061	3,348
12.5 × 35	2,700	0.014	0.042	3,888	1,800	0.014	0.042	3,888	1,000	0.018	0.055	3,510
16 × 20	2,200	0.018	0.055	3,413	1,500	0.018	0.055	3,413	820	0.022	0.069	2,867
16 × 25	3,300	0.014	0.045	3,812	1,800	0.014	0.045	3,812	1,000	0.019	0.058	3,161



**RATED RIPPLE CURRENT MULTIPLIERS**

Frequency Multipliers

120	10k	50k	100k
0.50	0.92	0.95	1.00
0.55	0.94	0.96	1.00
0.60	0.96	0.97	1.00
0.70	0.98	0.99	1.00