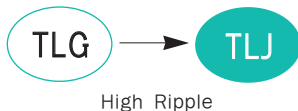


## TLJ Series

• 105°C 3,000Hrs assured.

- Non-solvent proof
- High Ripple, Low Temp.
- For SMPS, Inverter.
- RoHS compliant.
- Halogen-free capacitors are also available.



### SPECIFICATIONS

Item	Characteristics										
Rated Voltage Range	400 ~ 500 V <sub>DC</sub>										
Operating Temperature Range	-40 ~ +105°C										
Capacitance Tolerance	±20%(M) (at 20°C, 120Hz)										
Leakage Current	I = 3√CV or 3mA, Whichever is smaller. Where, I: Leakage Current(µA), C: Nominal capacitance(µF), V: Rated voltage(V <sub>DC</sub> ) (at 20°C, 5minutes)										
※ Dissipation Factor(Tanδ)	<table border="1"> <tr> <td>Rated voltage(V<sub>DC</sub>)</td> <td>400</td> <td>420~500</td> </tr> <tr> <td>Tanδ(Max.)</td> <td>0.15</td> <td>0.20</td> </tr> </table>	Rated voltage(V <sub>DC</sub> )	400	420~500	Tanδ(Max.)	0.15	0.20	(at 20°C, 120Hz)			
Rated voltage(V <sub>DC</sub> )	400	420~500									
Tanδ(Max.)	0.15	0.20									
Temperature Characteristics (Max. Impedance ratio)	<table border="1"> <tr> <td>Rated voltage(V<sub>DC</sub>)</td> <td>400</td> <td>450~500</td> </tr> <tr> <td>Z(-25°C)/Z(20°C)</td> <td>4</td> <td>8</td> </tr> <tr> <td>Z(-40°C)/Z(20°C)</td> <td>8</td> <td>16</td> </tr> </table>	Rated voltage(V <sub>DC</sub> )	400	450~500	Z(-25°C)/Z(20°C)	4	8	Z(-40°C)/Z(20°C)	8	16	(at 120Hz)
Rated voltage(V <sub>DC</sub> )	400	450~500									
Z(-25°C)/Z(20°C)	4	8									
Z(-40°C)/Z(20°C)	8	16									
Load Life	The following specifications shall be satisfied when the capacitors are restored to 20°C after the rated voltage with the rated ripple current is applied (the peak voltage shall not exceed the rated voltage) for 3,000 hours at 105°C Capacitance change ≤ ±20% of the initial value Tanδ ≤ 200% of the initial specified value Leakage current ≤ The initial specified value										
Shelf Life	The following specifications shall be satisfied when the capacitors are restored to 20°C after the exposing them at 105°C for 1,000hours without voltage applied. The rated voltage shall be applied to the capacitors for a minimum of 30 minutes, at least 24 hours and not more than 48 hours before the measurements. Capacitance change ≤ ±20% of the initial value Tanδ ≤ 200% of the initial specified value Leakage current ≤ The initial specified value										
Others	Satisfied characteristics KS C IEC 60384-4										

※For capacitors with CV products >100,000 higher Tanδ value may apply.  
When the capacitance exceeds 1,000µF, 0.01 shall be added every 1,000µF increase.

### RATED RIPPLE CURRENT

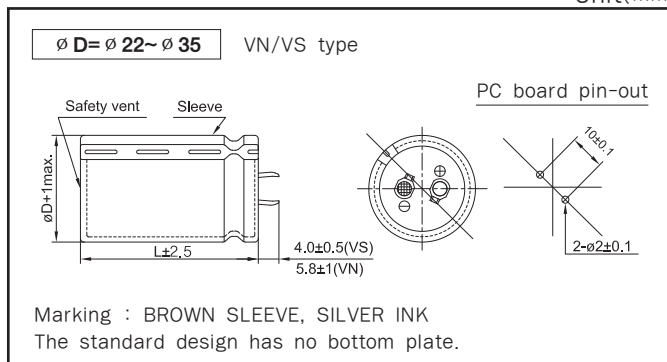
When capacitor are operated in any other condition at 120Hz, the maximum ripple current must be multiplied by the figure shown in the table.

Frequency multiplying factor

V <sub>DC</sub> \ Freq.(Hz)	60	120	300	1k	10k~
400~500	0.77	1.00	1.16	1.30	1.41

### DIMENSIONS OF TLG Series

Unit(mm)



TLJ Series



# LARGE SIZED ALUMINUM ELECTROLYTIC CAPACITORS

## RATINGS OF TLJ Series

V <sub>DC</sub>	Capacitance (μF)	∅D×L(mm)	Rated Ripple Current (Arms/105°C, 120Hz)
400	120	25.4×25	1.05
	180	25.4×30	1.34
		30×25	1.37
	220	25.4×35	1.52
	270	25.4×40	1.73
		30×30	1.73
		35×25	1.74
	330	25.4×50	1.98
		30×35	1.96
		35×30	1.96
	390	30×40	2.21
		35×35	2.20
	470	30×50	2.61
		35×40	2.58
560	35×45	3.07	
680	35×50	3.39	
420	100	25.4×25	0.92
	150	25.4×30	1.10
		30×25	1.20
	180	25.4×35	1.24
	220	25.4×40	1.43
		30×30	1.43
		35×25	1.44
	270	25.4×45	1.69
		30×35	1.70
	330	35×30	1.74
		30×40	1.95
	390	30×45	2.18
		35×35	2.17
	470	30×50	2.55
35×45		2.54	
560	35×50	2.83	

V <sub>DC</sub>	Capacitance (μF)	∅D×L(mm)	Rated Ripple Current (Arms/105°C, 120Hz)
450	100	25.4×25	0.92
	150	25.4×35	1.17
		30×25	1.20
	180	25.4×40	1.31
	220	25.4×45	1.50
		30×35	1.50
		35×25	1.51
	270	25.4×50	1.76
		30×40	1.77
		35×30	1.74
	330	30×45	2.02
		35×35	1.99
	390	30×50	2.25
		35×40	2.24
470	35×45	2.54	
560	35×50	2.83	
500	56	25.4×25	0.66
	68	25.4×25	0.69
	82	25.4×30	0.87
		30×25	0.94
	100	25.4×35	1.00
	120	25.4×40	1.11
		30×30	1.12
		35×25	1.14
	150	30×35	1.26
		25.4×50	1.45
	180	30×40	1.47
		35×30	1.50
	220	30×45	1.59
		35×35	1.61
270	35×40	1.73	
330	35×50	1.89	