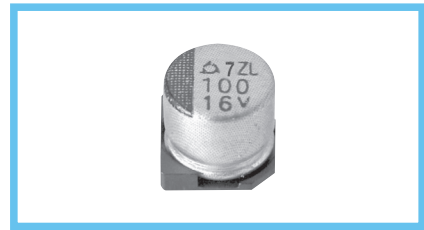
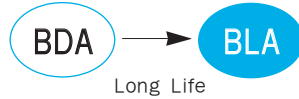


BLA Series

- Vertical SMD type.
- Long Life.
- For LED MT, AVN.
- RoHS compliant.
- Halogen-free capacitors are also available.

• 105°C 5,000Hrs assured.

Solvent-proof

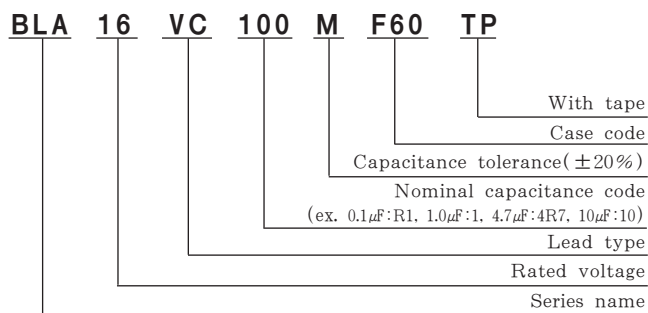
 $WV \leq 63V_{DC}$


SPECIFICATIONS

Item	Characteristics	
Rated Voltage Range	4 ~ 400 V _{DC}	
Operating Temperature Range	-40 ~ +105°C	
Capacitance Tolerance	±20%(M) (at 20°C, 120Hz)	
Leakage Current	Rated Voltage(V _{DC})	4~100 160~400
	Max. Leakage current(μA)	0.01CV (μA) or 3μA, whichever is greater. (at 20°C, 2 minutes) 0.04CV + 100(μA) (at 20°C, 1 minute)
Dissipation Factor (Tanδ)	Rated voltage(V _{DC})	4 6.3 10 16 25 35 50 50~100 160~250 400
	Tanδ(Max.)	0.37 0.28 0.24 0.20 0.16 0.13 0.12 0.12 0.15 0.20
(at 20°C, 120Hz)		
Temperature Characteristics (Max. Impedance ratio)	Rated voltage(V _{DC})	4 6.3 10 16 25~50 63~100 160~250 400
	Z(-25°C)/Z(+20°C)	8 4 3 2 2 3 3 6
	Z(-40°C)/Z(+20°C)	14 10 7 5 3 4 6 10
(at 120Hz)		
Load Life	The following specifications shall be satisfied when the capacitors are restored to 20°C after the rated voltage is applied for 5,000 hours at 105°C. Capacitance change ≤ ±30% of the initial value Tan δ ≤ 300% of the initial specified value Leakage current ≤ The initial specified value	
Shelf Life	The following specifications shall be satisfied when the capacitors are restored to 20°C after exposing them for 1,000 hours at 105°C without voltage applied. The rated voltage shall be applied to the capacitors for a minimum of 30 minutes, at least 24 hours and not more than 48 hours before the measurements. Capacitance change ≤ ±30% of the initial value Tan δ ≤ 300% of the initial specified value Leakage current ≤ The initial specified value	
Others	Satisfied characteristics KS C IEC 60384-4	

BLA Series

PART NUMBERING SYSTEM



RATED RIPPLE CURRENT MULTIPLIERS

Frequency Multipliers

Freq.(Hz)	120	1K	10K	100K
Factor	1.00	1.05	1.08	1.08



SURFACE MOUNT ALUMINUM ELECTROLYTIC CAPACITORS

DIMENSIONS OF BLA Series

Unit(mm)

DIMENSIONS

Recommended solder land on PC board

▨ : Solder land on PC board

MARKING

Note 1 : $L \pm 0.5$ for 8×10 (H10)~ 12.5×13.5 (K14)
 Note 2 : 4×5.2 (D55), 5×5.2 (E55) is excluded symbol mark.
 Note 3 : 6.3VV is marked by 6V.

Case code	ϕD	L	A	B	C	W	P	a	b	c
D55	4	5.2	4.3	4.3	5.1	0.5-0.8	1.0	1.0	2.6	1.6
E55	5	5.2	5.3	5.3	5.9	0.5-0.8	1.4	1.4	3.0	1.6
F55	6.3	5.2	6.6	6.6	7.2	0.5-0.8	1.9	1.9	3.5	1.6
F60	6.3	5.7	6.6	6.6	7.2	0.5-0.8	1.9	1.9	3.5	1.6
F80	6.3	7.7	6.6	6.6	7.2	0.5-0.8	1.9	1.9	3.5	1.6
H63	8	6.3	8.3	8.3	9.0	0.5-0.8	2.3	2.3	4.5	1.6
H10	8	10	8.3	8.3	9.0	0.7-1.1	3.1	3.1	4.2	2.2
J10	10	10	10.3	10.3	11.0	0.7-1.1	4.5	4.5	4.4	2.2
K14	12.5	13.5	13.0	13.0	13.7	1.0-1.3	4.2	4.0	5.7	2.5

RATINGS OF BLA Series

Vdc / μF	4	6.3	10	16	25	35	50	63	100
1							D55 5.6		
2.2							D55 10		
3.3							D55 14		
4.7					D55 13	D55 15	E55 19		
10				D55 16	E55 25	E55 25	F55 29	F60 32	H63 48
22	D55 19	D55 21	E55 30	E55 30	F55 40	F55 40	F60 43	H10 69	H10 91
33	E55 30	E55 34	E55 34	F55 45	F55 45	F80 57	H10 77	J10 96	J10 127
47	E55 34	E55 36	F55 48	F55 48	F60 52	H10 92	H10 92	J10 114	K14 193
100	E55 45	F60 56	F60 90	F60 110	H10 116	J10 151	J10 151	K14 212	K14 281
220			F80 120	H10 140	J10 216	J10 216	K14 221		
330			H10 170	J10 238	J10 238	K14 271			
470			J10 254	J10 254	K14 324				
1,000			K14 472	K14 472					

Vdc / μF	160	200	250	400
2.2				J10 26
3.3			J10 46	J10 37
4.7		J10 54	K14 65	K14 70
10	J10 79	J10 79	K14 102	
22	K14 148	K14 148		
33	K14 182			

↑ Rated Ripple Current (mArms/105°C, 120Hz)
 ↑ Case code