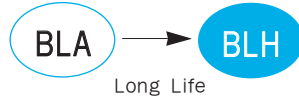


**BLH Series**

• 105°C 10,000Hrs assured.

Solvent-proof

- Vertical SMD type.
- Long Life.
- For LED MT/TV, AVN.
- RoHS compliant.
- Halogen-free capacitors are also available.

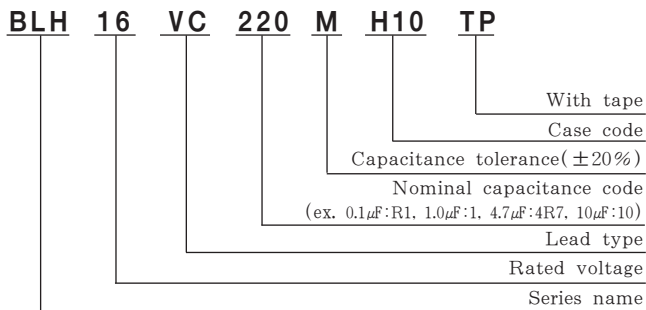


**SPECIFICATIONS**

Item	Characteristics												
Rated Voltage Range	10 ~ 50 V <sub>DC</sub>												
Operating Temperature Range	-40 ~ +105°C												
Capacitance Tolerance	±20%(M) (at 20°C, 120Hz)												
Leakage Current	I = 0.01CV(μA) or 3μA, whichever is greater. Where, I:Max. Leakage current(μA), C:Nominal capacitance(μF), V:Rated voltage(V <sub>DC</sub> ) (at 20°C, 2 minutes)												
Dissipation Factor (Tanδ)	<table border="1"> <tr> <td>Rated voltage(V<sub>DC</sub>)</td> <td>10</td> <td>16</td> <td>25</td> <td>35</td> <td>50</td> </tr> <tr> <td>Tanδ(Max.)</td> <td>0.24</td> <td>0.20</td> <td>0.16</td> <td>0.13</td> <td>0.12</td> </tr> </table> (at 20°C, 120Hz)	Rated voltage(V <sub>DC</sub> )	10	16	25	35	50	Tanδ(Max.)	0.24	0.20	0.16	0.13	0.12
Rated voltage(V <sub>DC</sub> )	10	16	25	35	50								
Tanδ(Max.)	0.24	0.20	0.16	0.13	0.12								
Temperature Characteristics (Max. Impedance ratio)	<table border="1"> <tr> <td>Rated voltage(V<sub>DC</sub>)</td> <td>10</td> <td>16</td> <td>25~50</td> </tr> <tr> <td>Z(-25°C)/Z(+20°C)</td> <td>3</td> <td>2</td> <td>2</td> </tr> <tr> <td>Z(-40°C)/Z(+20°C)</td> <td>7</td> <td>5</td> <td>3</td> </tr> </table> (at 120Hz)	Rated voltage(V <sub>DC</sub> )	10	16	25~50	Z(-25°C)/Z(+20°C)	3	2	2	Z(-40°C)/Z(+20°C)	7	5	3
Rated voltage(V <sub>DC</sub> )	10	16	25~50										
Z(-25°C)/Z(+20°C)	3	2	2										
Z(-40°C)/Z(+20°C)	7	5	3										
Load Life	The following specifications shall be satisfied when the capacitors are restored to 20°C after the rated voltage is applied for 10,000 hours at 105°C. Capacitance change ≤ ±30% of the initial value Tanδ ≤ 300% of the initial specified value Leakage current ≤ The initial specified value												
Shelf Life	The following specifications shall be satisfied when the capacitors are restored to 20°C after exposing them for 1,000 hours at 105°C without voltage applied. The rated voltage shall be applied to the capacitors for a minimum of 30 minutes, at least 24 hours and not more than 48 hours before the measurements. Capacitance change ≤ ±30% of the initial value Tanδ ≤ 300% of the initial specified value Leakage current ≤ The initial specified value												
Others	Satisfied characteristics KS C IEC 60384-4												

BLH Series

**PART NUMBERING SYSTEM**



**RATED RIPPLE CURRENT MULTIPLIERS**

Frequency Multipliers

Freq.(Hz)	120	1K	10K	100K
Factor	1.00	1.05	1.08	1.08

## DIMENSIONS OF BLH Series

Unit(mm)

### DIMENSIONS

### MARKING

Case code	φ D	L	A	B	C	W	P	a	b	c
H10	8	10	8.3	8.3	9.0	0.7-1.1	3.1	3.1	4.2	2.2
J10	10	10	10.3	10.3	11.0	0.7-1.1	4.5	4.5	4.4	2.2
K14	12.5	13.5	13.0	13.0	13.7	1.0-1.3	4.2	4.0	5.7	2.5

**Recommended solder land on PC board**

: Solder land on PC board

## RATINGS OF BLH Series

V <sub>DC</sub> μF	10	16	25	35	50
33					H10 77
47				H10 92	H10 92
100			H10 116	J10 151	J10 151
220		H10 140	J10 218	J10 216	K14 255
330	H10 170	J10 238	J10 238	K14 301	
470	J10 254	J10 254	K14 324		
1,000	K14 472	K14 472			

