

SURFACE MOUNT ALUMINUM ELECTROLYTIC CAPACITORS

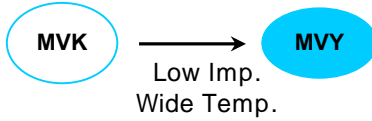


MVY Series

105 1,000~2000Hrs assured

Solvent-proof

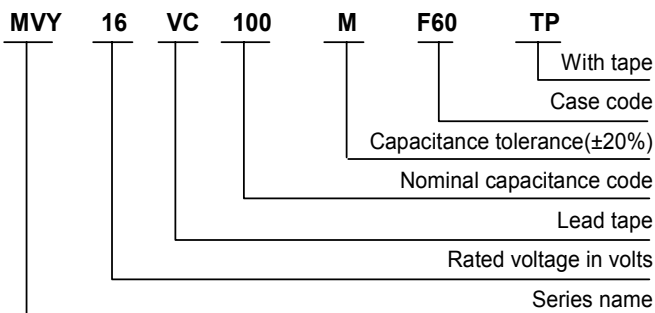
Vertical SMD Type.
Low Impedance.
RoHS compliant.
Halogen-free capacitors are also available.



SPECIFICATIONS

Item	Characteristics												
Rated Voltage Range	6.3 ~ 35V _{DC}												
Operating Temperature Range	-40 ~ +105												
Capacitance tolerance	±20% (M) (at 20 , 120Hz)												
Leakage current	I=0.01CV (μA) or 3μA, whichever is greater. Where. I:Max. leakage current(μA) , C: Nominal capacitance(μF) V:Rated vlotage (V _{DC}) (at 20 , 2 minutes)												
Dissipation factor(Tan δ)	<table border="1" style="width: 100%; text-align: center;"> <tr> <td>Rated voltage(V_{DC})</td> <td>6.3</td> <td>10</td> <td>16</td> <td>25</td> <td>35</td> </tr> <tr> <td>Tanδ(Max.)</td> <td>0.24</td> <td>0.20</td> <td>0.16</td> <td>0.14</td> <td>0.12</td> </tr> </table> (at 20 , 120Hz)	Rated voltage(V _{DC})	6.3	10	16	25	35	Tanδ(Max.)	0.24	0.20	0.16	0.14	0.12
Rated voltage(V _{DC})	6.3	10	16	25	35								
Tanδ(Max.)	0.24	0.20	0.16	0.14	0.12								
Temperature characteristics (Max.Impedance ratio)	<table border="1" style="width: 100%; text-align: center;"> <tr> <td>Z(-25)/Z(20)</td> <td>2</td> </tr> <tr> <td>Z(-40)/Z(20)</td> <td>3</td> </tr> </table> (at 120Hz)	Z(-25)/Z(20)	2	Z(-40)/Z(20)	3								
Z(-25)/Z(20)	2												
Z(-40)/Z(20)	3												
Load life	<p>The following specifications shall be satisfied when the capacitors are restored to 20 after the rated voltage is applied with the following condition. Ø4 ~ Ø6.3 : 105 , 1,000 hours , Ø8 ~ Ø12.5 : 105 , 2,000 hours</p> <p>Capacitance change</p> <p style="margin-left: 40px;">Ø4 ~ Ø6.3 ±30% of the initial vaule</p> <p style="margin-left: 40px;">Ø8 ~ Ø12.5 ±20% of the initial vaule</p> <p>Tan δ</p> <p style="margin-left: 40px;">Ø4 ~ Ø6.3 300% of the initial specified value</p> <p style="margin-left: 40px;">Ø8 ~ Ø12.5 200% of the initial specified value</p> <p>Leakage current The initial specified value</p>												
Shelf life	<p>The following specifications shall be satisfied when the capacitors are restored to 20 after exposing them for 1,000 hours at 105 without voltage applied. The rated voltage shall be applied to the capacitors for a minimum of 30 minutes, at least 24 hours and not more than 48 hours before the measurement.</p> <p>Capacitance change ±30% of the initial vaule (for 6.3V rated capacitors)</p> <p>Tan δ ±30% of the initial vaule (for 10 to 35V rated capacitors)</p> <p> 300% of the initial specified value (for 6.3V rated capacitors)</p> <p>Leakage current 200% of the initial specified value (for 10 to 35V rated capacitors)</p> <p> The initial specified value</p>												
Others	Satisfied characteristics W of KS C 6421												

PART NUMBERING SYSTEM

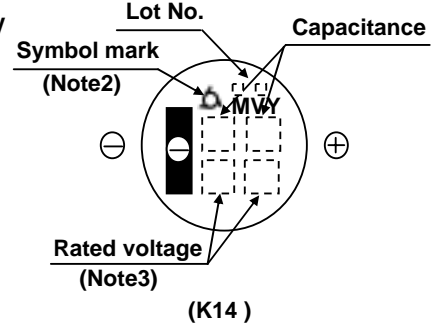
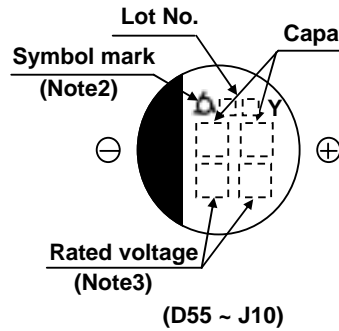
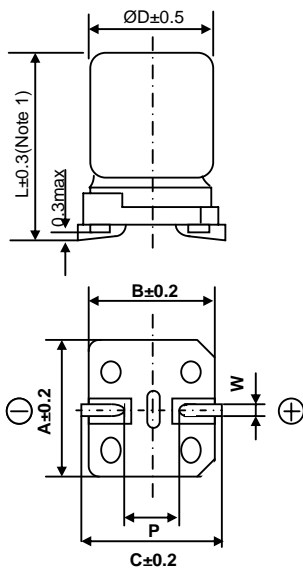


Capacitance	Code
0.1μF	R1
0.47μF	R47
1.0μF	1
4.7μF	4R7
10μF	10
100μF	100

DIMENSIONS OF MVY Series (Type:VC)

Unit(mm)

DIMENSIONS

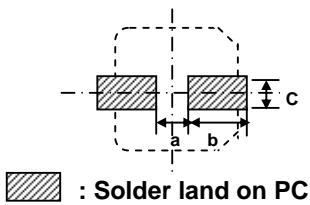


Note 1 : L±0.5 for 8x6.3(H63), 8x10(H10), 10x10(J10), 12.5x13.5(K14)

Note 2 : 4x5.2(D55), 5x5.2(E55) is excluded symbol mark.

Note 3 : 6.3WV is marked by 6V.

Recommended solder land on PC board



Case code	ØD	L	A	B	C	W	P	a	b	c
D55	4	5.2	4.3	4.3	5.1	0.5 ~ 0.8	1.0	1.0	2.6	1.6
E55	5	5.2	5.3	5.3	5.9	0.5 ~ 0.8	1.4	1.4	3.0	1.6
F55	6.3	5.2	6.6	6.6	7.2	0.5 ~ 0.8	1.9	1.9	3.5	1.6
F60	6.3	5.7	6.6	6.6	7.2	0.5 ~ 0.8	1.9	1.9	3.5	1.6
F80	6.3	7.7	6.6	6.6	7.2	0.5 ~ 0.8	1.9	1.9	3.5	1.6
H63	8	6.3	8.3	8.3	9.0	0.5 ~ 0.8	2.3	2.3	4.5	1.6
H10	8	10	8.3	8.3	9.0	0.7 ~ 1.1	3.1	3.1	4.2	2.2
J10	10	10	10.3	10.3	11.0	0.7 ~ 1.1	4.5	4.5	4.4	2.2
K14	12.5	13.5	13.0	13.0	13.7	1.0 ~ 1.3	4.5	4.5	5.7	2.5

RATINGS OF MVY Series

V _{DC} µF	6.3(0J)			10(1A)			16(1C)			25(1E)			35(1V)		
4.7													D55	3.6	45
10							D55	3.6	45	E55	1.8	95	E55	1.8	95
22	D55	3.6	45	E55	1.8	95	E55	1.8	95	F55	1.0	140	F55	1.0	140
33	E55	1.8	95	E55	1.8	95	F55	1.0	140	F55	1.0	140	F60	0.70	161
47	E55	1.8	95	F55	1.0	140	F60	0.70	161	F60	0.70	161	F60	0.70	161
100	F55	1.0	140	F60	0.70	161	F60	0.70	161	F80	0.37	280	H10	0.30	450
220	F60	0.70	161	F80	0.34	280	F80	0.34	280	H10	0.30	450	H10	0.30	450
330	H80	0.34	280	H10	0.30	450	H10	0.30	450	J10	0.15	670	J10	0.15	670
470	H10	0.30	450	H10	0.30	450	H10	0.30	450	J10	0.15	670	K14	0.070	820
680	H10	0.30	450	J10	0.15	670	J10	0.15	670	K14	0.070	820			
1,000	H10	0.30	450	J10	0.15	670	K14	0.070	820						
1,500	J10	0.15	670	K14	0.070	820									
1,500	K14	0.070	820												

Rated Ripple Current (mA rms/105 ,100kHz)
Impedance (max./20 ,100kHz)
Case code