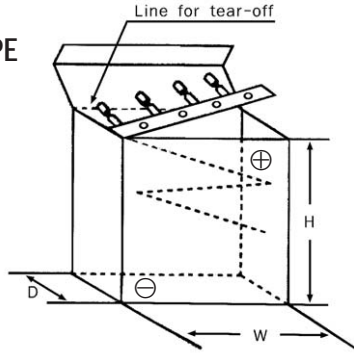


PACKING QUANTITY

MINIATURE TYPE TAPING



Packing quantity ($\phi 3 \sim \phi 18$) is changable.

Item		Inner Box (PCS)	Out Box (PCS)	Box Dimension
				D × W × H (mm)
RMV $\phi 6.3$		1,500	9,000	41 × 330 × 232
RMV $\phi 8$	7~9L	1,000	6,000	41 × 330 × 232
	11.5L	1,000	5,000	51 × 330 × 230
RMV $\phi 10$		500	2,500	53 × 330 × 190
SRE $\phi 3, 3.5$		3,000	18,000	41 × 330 × 232
SRE, A $\phi 4$		2,500	15,000	41 × 330 × 232
SRE, A $\phi 5$		2,000	12,000	41 × 330 × 232
SRE, A $\phi 6.3$		1,500	9,000	41 × 330 × 232
SRE, A $\phi 8$		1,000	6,000	41 × 330 × 232
$\phi 5$		2,000	10,000	51 × 330 × 230
		1,500	7,500	48 × 330 × 211
$\phi 8$	11.5L	1,000	5,000	51 × 330 × 230
	15L	1,000	5,000	51 × 330 × 230
	20L	800	4,000	62 × 330 × 198
$\phi 10$	16L max.	500	2,500	53 × 330 × 190
	25L max.			62 × 330 × 190
	33L max.			68 × 330 × 190
$\phi 12.5$	25L max.	400	2,000	61 × 324 × 235
$\phi 16$	25L max.	250	1,250	62 × 342 × 245
	35.5L max.			73 × 342 × 245
$\phi 18$	25L max.	200	1,000	62 × 342 × 245
	35.5L max.			73 × 342 × 245

LONG AND FORMING CUT

Item	$\phi D \times L$ (mm)	Terminal Conf.	Vinyl Bag (PCS)	Inner Box (PCS)	Out Box (PCS)
RMV	$\phi 6.3$	Long	500	2,000	24,000
	$\phi 8$	Long	200	1,000	12,000
	$\phi 10$	Long	100	2,000	8,000
SRE	$\phi 3 \sim \phi 4$	Long/Forming	500	4,000	48,000
	$\phi 5$	Long/Forming	500	3,000	36,000
	$\phi 6.3$	Long/Forming	500	3,000	30,000
SRA	$\phi 4 \sim \phi 5$	Long/Forming	500	3,000	36,000
	$\phi 6.3$	Long/Forming	500	2,000	24,000
	$\phi 8$	Long/Forming	200	1,000	12,000
SR	$\phi 6 \times 9L$	Long/Forming	500	2,000	24,000
	$\phi 8 \sim 9L$	Long	200	1,000	12,000
Forming		2,000		24,000	
CM-I	$\phi 5$	Long	200	2,000	24,000
		Forming			
	$\phi 6.3$	Long	200	2,000	20,000
		Forming			24,000
	$\phi 8 \times 11.5L$	Long/Forming	200	1,000	12,000
$\phi 8 \times 15L$	Long	100	500	6,000	
$\phi 8 \times 20L$	Long	100	500	6,000	

Item	$\phi D \times L$ (mm)	Terminal Conf.	Vinyl Bag (PCS)	Inner Box (PCS)	Out Box (PCS)
CM-II	$\phi 10 \times 12.5L$	Forming	100	2,500	10,000
		Long	100	2,000	8,000
	$\phi 10 \times 15 \sim 16L$	Forming	100	2,000	8,000
		Long	100	1,500	6,000
	$\phi 10 \times 20L \sim$	Forming	100	1,600	6,400
		Long	100	1,200	4,800
	$\phi 10 \times 25 \sim 50L$	Forming	100	1,200	4,800
		Long	100	1,000	4,000
	$\phi 12.5 \times 13L$	Forming/Long	100	1,500	6,000
	$\phi 12.5 \times 15 \sim 25L$	Forming	100	1,000	4,000
	$\phi 12.5 \times 15 \sim 16L$	Long	100	1,000	4,000
	$\phi 12.5 \times 20 \sim 25L$	Long	100	800	3,200
	$\phi 12.5 \times 30 \sim 35L$	Forming/Long	50	600/500	2,400/2,000
	$\phi 12.5 \times 42.5 \sim 50L$	Forming	50	500	2,000
		Long		400	1,600
	$\phi 16 \times 15L$	Forming	50	600	2,400
		Long			
	$\phi 16 \times 20 \sim 25L$	Forming/Long	50	600/500	2,400/2,000
	$\phi 16 \times 31.5 \sim 40L$	Forming/Long	50	400	1,600
	$\phi 18 \times 20 \sim 25L$	Forming/Long	50	400	1,600
	$\phi 18 \times 30 \sim 40L$	Forming	25	300	1,200
		Long		250	1,000
	$\phi 20 \times 40L$	Forming	20	150	600
		Long		160	640
	$\phi 22 \times 20 \sim 30L$	Long	20	200	800
	$\phi 22 \times 35L \sim$	Long	20	160	640
	$\phi 25.4 \times 25L$				
	$\phi 22 \times 50L \sim$	Long	15	120	480
$\phi 25.4 \times 50L$					
$\phi 22 \times 20L \sim$	Forming	-	100	400	
					$\phi 25.4 \times 40L$
$\phi 22 \times 45L$	Forming	-	100	300	
$\phi 25.4 \times 45 \sim 50L$					



ALUMINUM ELECTROLYTIC CAPACITORS

GENERAL PACKAGE

Size		Terminal Config.	Product Q'ty Per Inner Box(pcs)	Product Q'ty Per Out Box(pcs)
∅ D(mm)	L(mm)			
14.5	35	LA	320	1,280
16	25~45		250	1,000
	50		250	750
20	25~45	LA, VN, VS	150	600
	50		150	450
22~30	15~45		100	400
	50~60		100	300
35~40	15~45	VN, VS, VR, LA, LR, LI	50	200
	50~60		50	150
35	70~80		80	160
40	70~80		50	100
35	-	LA, LG, LR	-	50
50	-		-	32
63.5~89	-		-	10