



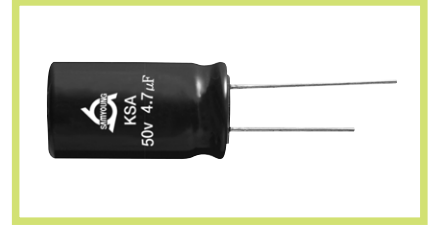
MINIATURE ALUMINUM ELECTROLYTIC CAPACITORS

KSA Series

• 105°C 1,000Hrs assured.

- Bi-polarized.
- High ripple capability.
- For Horizontal Deflection Circuit, CRT TV/MT
- RoHS compliant.
- Halogen-free capacitors are also available.

Solvent-proof



SSA

KSA

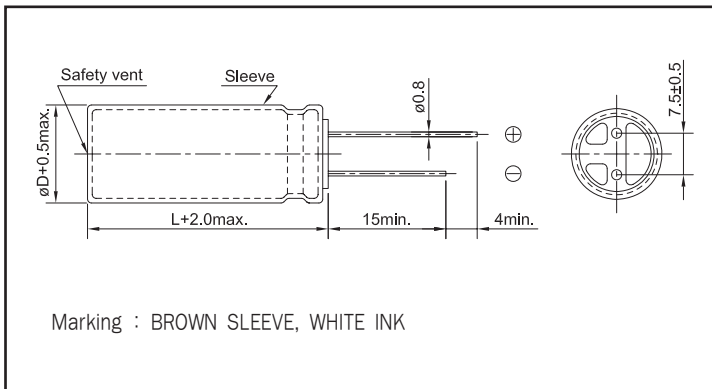
Wide temp.

SPECIFICATIONS

Item	Characteristics														
Rated Voltage Range	25, 50 V _{dc}														
Operating Temperature Range	-55 ~ +105°C														
Nominal Capacitance	2.2(µF)	3.3(µF)	4.7(µF)	6.8(µF)	8.2(µF)	10(µF)									
Case size ØD×L (mm)	16×25	16×31.5	16×35.5	16×35.5	16×35.5	16×35.5									
Permissible Ripple Current(A _{p-p})	3.4	4.1	4.5	4.6	4.9	5.4									
	(at max. operating temperature, 15.75kHz)														
Capacitance Tolerance	±20% (M) (at 20°C, 120Hz)														
Leakage Current(In both directions)	100µA max. (at 20°C, 3 minutes)														
Dissipation Factor(Tanδ)	0.05 max. (at 20°C, 120Hz)														
Temperature Characteristics (Max. Impedance ratio)	<table border="1" style="margin-left: auto; margin-right: auto;"> <thead> <tr> <th>Rated Voltage(V_{dc})</th> <th>25</th> <th>50</th> </tr> </thead> <tbody> <tr> <td>Z(-25°C)/Z(20°C)</td> <td>2</td> <td>2</td> </tr> <tr> <td>Z(-40°C)/Z(20°C)</td> <td>4</td> <td>3</td> </tr> </tbody> </table>					Rated Voltage(V _{dc})	25	50	Z(-25°C)/Z(20°C)	2	2	Z(-40°C)/Z(20°C)	4	3	(at 120Hz)
Rated Voltage(V _{dc})	25	50													
Z(-25°C)/Z(20°C)	2	2													
Z(-40°C)/Z(20°C)	4	3													
Load Life	<p>The following specifications shall be satisfied when the capacitors are restored to 20°C after the specified ripple current (AC_{pp} Voltage+applied DC voltage≤WV) applied for 1,000 hours at 105°C.</p> <p>Capacitance change ≤ ±15% of the initial value</p> <p>Tan δ ≤ 200% of the initial specified value</p> <p>Leakage current ≤ The initial specified value</p>														
Shelf Life	<p>The following specifications shall be satisfied when the capacitors are restored to 20°C after exposing them for 500 hours. at 105°C without voltage and ripple current applied.</p> <p>Capacitance change ≤ ±15% of the initial value</p> <p>Tan δ ≤ 200% of the initial specified value</p> <p>Leakage current ≤ 200% of the initial specified value</p>														
Others	Satisfied characteristics KS C IEC 60384-4														

DIMENSIONS OF KSA Series

unit(mm)



$$\ast I_r(\text{rms}) = \frac{I_r(\text{p-p})}{2\sqrt{3}}$$

I_r(p-p) is peak-to-peak value at specifications.
I_r(rms) is effective current value.