

TEA Series

• 105°C 2,000Hrs assured.

- Non-solvent proof
- Height 15mm
- For SMPS, Inverter
- RoHS compliant.
- Halogen-free capacitors are also available.



SPECIFICATIONS

Item	Characteristics				
Rated Voltage Range	160 ~ 400 V _{DC}				
Operating Temperature Range	-25 ~ +105°C				
Capacitance Tolerance	±20%(M) (at 20°C, 120Hz)				
Leakage Current	I=0.02CV(µA) or 3mA, whichever is smaller. Where, I: Leakage current(µA), C:Nominal capacitance(µF), V:Rated voltage(V _{DC}) (at 20°C, 5 minutes)				
※ Dissipation Factor(Tanδ)	<table border="1"> <tr> <td>Rated voltage(V_{DC})</td> <td>160 ~ 400</td> </tr> <tr> <td>Tanδ(Max.)</td> <td>0.20</td> </tr> </table> (at 20°C, 120Hz)	Rated voltage(V _{DC})	160 ~ 400	Tanδ(Max.)	0.20
Rated voltage(V _{DC})	160 ~ 400				
Tanδ(Max.)	0.20				
Temperature Characteristics (Max. Impedance ratio)	<table border="1"> <tr> <td>Rated voltage(V_{DC})</td> <td>160 ~ 400</td> </tr> <tr> <td>Z(-25°C)/Z(20°C)</td> <td>4</td> </tr> </table> (at 120Hz)	Rated voltage(V _{DC})	160 ~ 400	Z(-25°C)/Z(20°C)	4
Rated voltage(V _{DC})	160 ~ 400				
Z(-25°C)/Z(20°C)	4				
Load Life	The following specifications shall be satisfied when the capacitors are restored to 20°C after the rated voltage is applied for 2,000 hours at 105°C. Capacitance change ≤ ±20% of the initial value Tanδ ≤ 200% of the initial specified value Leakage current ≤ The initial specified value				
Shelf Life	The following specifications shall be satisfied when the capacitors are restored to 20°C after the exposing them at 105°C for 1,000 hours without voltage applied. The rated voltage shall be applied to the capacitors for a minimum of 30 minutes, at least 24 hours and not more than 48 hours before the measurements. Capacitance change ≤ ±20% of the initial value Tanδ ≤ 200% of the initial specified value Leakage current ≤ The initial specified value				
Others	Satisfied characteristics KS C IEC 60384-4				

※ For capacitors with CV products > 100,000 higher Tanδ value may apply.
 When the capacitance exceeds 1,000µF, 0.01 shall be added every 1,000µF increase.

RATED RIPPLE CURRENT

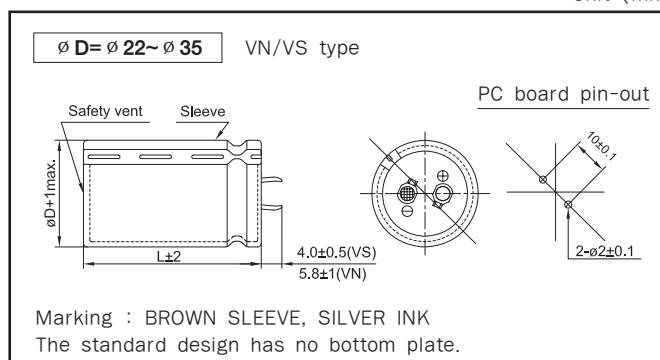
When capacitors are operated in any other conditions at 120Hz the maximum ripple current must be multiplied by the figure shown in the table

Frequency multiplying factor

Frequency(Hz)	60	120	300	1k	10k~
160~250V DC	0.81	1.00	1.17	1.32	1.45
350~450V DC	0.77	1.00	1.16	1.30	1.41

DIMENSIONS OF TEA Series

Unit (mm)





LARGE SIZED ALUMINUM ELECTROLYTIC CAPACITORS

RATINGS OF TEA series

μF \n V _{DC} \n \varnothing D	160				200			
	22	25.4	30	35	22	25.4	30	35
120					22 × 15 0.61			
150	22 × 15 0.68					25.4 × 15 0.73		
180		25.4 × 15 0.79					30 × 15 0.79	
220		25.4 × 15 0.88					30 × 15 0.90	
270			30 × 15 0.96					35 × 15 1.00
330			30 × 15 1.06					35 × 15 1.07
390				35 × 15 1.20				

μF \n V _{DC} \n \varnothing D	250				400			
	22	25.4	30	35	22	25.4	30	35
39					22 × 15 0.35			
47						25.4 × 15 0.40		
56						25.4 × 15 0.44		
68							30 × 15 0.46	
82	22 × 15 0.50						30 × 15 0.51	
100		25.4 × 15 0.59						35 × 15 0.56
120		25.4 × 15 0.65						35 × 15 0.62
150			30 × 15 0.71					
180			30 × 15 0.79					
220				35 × 15 0.90	← Case Size \varnothing D × L (mm) ← Rated Ripple Current (Arms/105°C, 120Hz)			