

EXB Series

• 105°C 2,000~3,000Hrs assured.

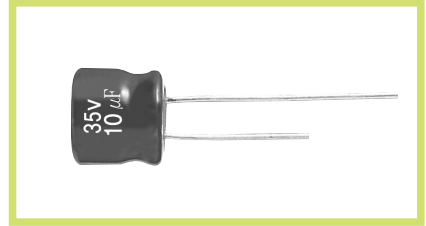
Solvent-proof

EXA

EXB

Low Imp. Long Life

- Low Impedance, Long Life.
- Height 5mm.
- For LED TV PSU, DVD Driver.
- RoHS compliant.
- Halogen-free capacitors are also available.



SPECIFICATIONS

Item	Characteristics																		
Rated Voltage Range	6.3 ~ 50 V _{DC}																		
Operating Temperature Range	-55 ~ +105°C																		
Capacitance Tolerance	±20%(M) (at 20°C, 120Hz)																		
Leakage Current	I = 0.01CV or 3μA, whichever is greater. Where, I:Max. Leakage current(μA), C:Nominal capacitance(μF), V:Rated voltage(V _{DC}) (at 20°C, 2 minutes)																		
Dissipation Factor(Tanδ)	<table border="1"> <tr> <td>Rated voltage(V_{DC})</td> <td>6.3</td> <td>10</td> <td>16</td> <td>25</td> <td>35~50</td> </tr> <tr> <td>Tanδ(Max.)</td> <td>0.22</td> <td>0.20</td> <td>0.18</td> <td>0.14</td> <td>0.12</td> </tr> </table> (at 20°C, 120Hz)	Rated voltage(V _{DC})	6.3	10	16	25	35~50	Tanδ(Max.)	0.22	0.20	0.18	0.14	0.12						
Rated voltage(V _{DC})	6.3	10	16	25	35~50														
Tanδ(Max.)	0.22	0.20	0.18	0.14	0.12														
Temperature Characteristics (Max. Impedance ratio)	<table border="1"> <tr> <td>Rated voltage(V_{DC})</td> <td>6.3</td> <td>10</td> <td>16</td> <td>25</td> <td>35~50</td> </tr> <tr> <td>Z(-25°C)/Z(20°C)</td> <td>3</td> <td>3</td> <td>2</td> <td>2</td> <td>2</td> </tr> <tr> <td>Z(-40°C)/Z(20°C)</td> <td>9</td> <td>7</td> <td>5</td> <td>3</td> <td>3</td> </tr> </table> (at 120Hz)	Rated voltage(V _{DC})	6.3	10	16	25	35~50	Z(-25°C)/Z(20°C)	3	3	2	2	2	Z(-40°C)/Z(20°C)	9	7	5	3	3
Rated voltage(V _{DC})	6.3	10	16	25	35~50														
Z(-25°C)/Z(20°C)	3	3	2	2	2														
Z(-40°C)/Z(20°C)	9	7	5	3	3														
Load Life	<p>The following specifications shall be satisfied when the capacitors are restored to 20°C after the rated voltage is applied at 105°C for the specifies period of time.</p> <table border="1"> <tr> <td>V_{DC}</td> <td>φ8</td> </tr> <tr> <td>6.3~35</td> <td>2,000 hrs</td> </tr> <tr> <td>50</td> <td>3,000 hrs</td> </tr> </table> <p>Capacitance change ≤ ±20% of the initial value Tan δ ≤ 200% of the initial specified value Leakage current ≤ The initial specified value</p>	V _{DC}	φ8	6.3~35	2,000 hrs	50	3,000 hrs												
V _{DC}	φ8																		
6.3~35	2,000 hrs																		
50	3,000 hrs																		
Shelf Life	<p>The following specifications shall be satisfied when the capacitors are restored to 20°C after exposing them for 1,000 hours at 105°C without voltage applied. The rated voltage shall be applied to the capacitors for a minimum of 30 minutes, at least 24 hours and not more than 48 hours before the measurements.</p> <p>Capacitance change ≤ ±20% of the initial value Tan δ ≤ 200% of the initial specified value Leakage current ≤ The initial specified value</p>																		
Others	Satisfied characteristics KS C IEC 60384-4																		

RATINGS OF EXB Series

μF \ V _{DC}	6.3	10	16	25	35	50
22						8x5 1.4 120
33						8x5 1.4 145
47					8x5 0.6 220	
68				8x5 0.6 220		
100						
150	8x5 0.6 220	8x5 0.6 220				
220	8x5 0.6 220					

↑ Rated Ripple Current(mArms/105°C, 100kHz)
 ↑ Impedance (Ω max./20°C, 100kHz)
 ↑ Case Size φD×L(mm)

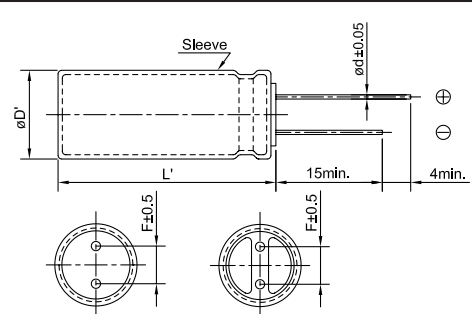
RATED RIPPLE CURRENT MULTIPLIERS

Frequency Multipliers

Freq.(Hz)	120	1k	10k	50k	100k
Factor	0.40	0.75	0.90	0.95	1.00

DIMENSIONS OF EXB Series

Unit(mm)



Marking: DARK BROWN SLEEVE, SILVER INK

φ D	8
φ d	0.45
F	2.5
φ D'	φ D + 0.5 max.
L'	L + 1.5 max.