

NZD Series

- 105°C 5,000Hrs assured.

Solvent-proof



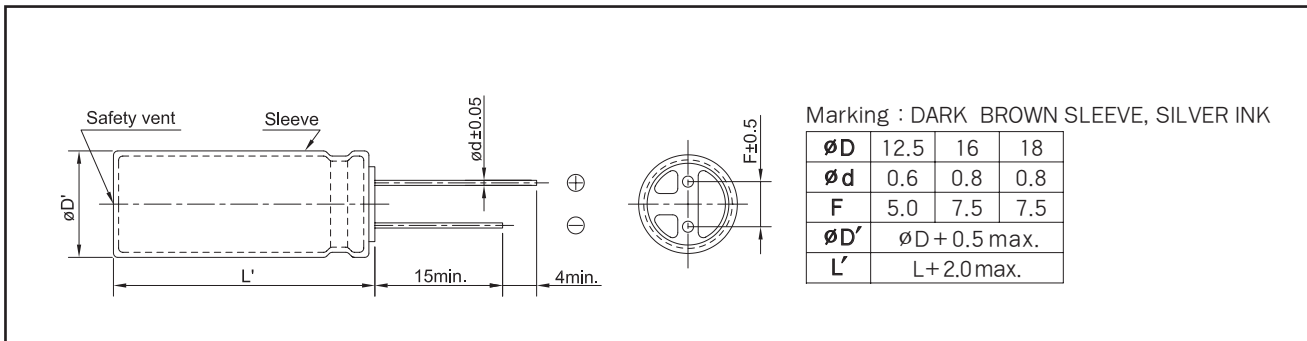
- For car air bag circuit.
- RoHS compliant.
- Halogen-free capacitors are also available.
- AEC-Q200 compliant : Please contact us for more details, test data, information.

SPECIFICATIONS

Item	Characteristics						
Rated Voltage Range	25 ~ 35 V _{DC}						
Operating Temperature Range	-55 ~ +105°C						
Capacitance Tolerance	0% ~ 30%(S) (at 20°C, 120Hz)						
Leakage Current	$I = 0.01CV(\mu A)$ Where, I:Max. Leakage current(μA), C:Nominal capacitance(μF), V:Rated voltage(V _{DC}) (at 20°C, 2 minutes)						
Dissipation Factor(Tan δ)	<table border="1"> <tr> <td>Rated Voltage(V_{DC})</td> <td>25</td> <td>35</td> </tr> <tr> <td>Tanδ(Max.)</td> <td>0.14</td> <td>0.12</td> </tr> </table> When the capacitance exceeds 1,000 μF , 0.02 shall be added every 1,000 μF increase. (at 20°C, 120Hz)	Rated Voltage(V _{DC})	25	35	Tan δ (Max.)	0.14	0.12
Rated Voltage(V _{DC})	25	35					
Tan δ (Max.)	0.14	0.12					
Temperature Characteristics (Max. Impedance ratio)	<table border="1"> <tr> <td>Rated Voltage(V_{DC})</td> <td>25</td> <td>35</td> </tr> <tr> <td>Z(-55°C)/Z(20°C)</td> <td colspan="2">3</td> </tr> </table> (at 120Hz)	Rated Voltage(V _{DC})	25	35	Z(-55°C)/Z(20°C)	3	
Rated Voltage(V _{DC})	25	35					
Z(-55°C)/Z(20°C)	3						
Load Life	The following specifications shall be satisfied when the capacitors are restored to 20°C after the rated voltage with the rated ripple current is applied (the peak voltage shall not exceed the rated voltage) for 5,000 hours at 105°C. Capacitance change \leq $\pm 25\%$ of the initial value Tan δ \leq 200% of the initial specified value Leakage current \leq The initial specified value						
Shelf Life	The following specifications shall be satisfied when the capacitors are restored to 20°C after exposing them for 1,000 hours at 105°C without voltage applied. The rated voltage shall be applied to the capacitors for a minimum of 30 minutes, at least 24 hours and not more than 48 hours before the measurements. Capacitance change \leq $\pm 20\%$ of the initial value Tan δ \leq 200% of the initial specified value Leakage current \leq The initial specified value						
Others	Satisfied characteristics KS C IEC 60384-4						

DIMENSIONS OF NZD Series

Unit(mm)



RATINGS OF NZD Series

V _{dc}	25		
μF	∅ D×L(mm)	Rated Ripple Current (mA _{RMS} /105°C, 100kHz)	Impedance (Ω max./20°C, 100kHz)
1,800	12.5×20	1,700	0.055
2,400	12.5×25	2,000	0.045
3,600	16×20	2,200	0.041
4,800	18×20	2,400	0.036
5,200	16×25	2,500	0.033
6,700	18×25	2,700	0.028
	16×31.5		
8,200	16×35.5	3,050	0.026
9,200	18×31.5	3,200	0.024
	16×40		
11,000	18×35.5	3,500	0.019
13,000	18×40	3,800	0.017
15,000	18×45	4,000	0.015

V _{dc}	35		
μF	∅ D×L(mm)	Rated Ripple Current (mA _{RMS} /105°C, 100kHz)	Impedance (Ω max./20°C, 100kHz)
1,100	12.5×20	1,500	0.057
1,400	12.5×25	1,700	0.054
2,100	16×20	2,000	0.047
2,700	18×20	2,250	0.042
3,300	16×25	2,400	0.037
4,200	18×25	2,550	0.033
	16×31.5		
5,200	16×35.5	2,800	0.031
6,000	18×31.5	2,950	0.029
7,100	18×35.5	3,050	0.027
8,400	18×40	3,200	0.025
9,600	18×45	3,400	0.023

RATED RIPPLE CURRENT MULTIPLIERS

Frequency Multipliers

Freq.(Hz) Cap.(μF)	120	1k	10k	100k
1,100~1,800	0.60	0.87	0.95	1.00
2,100~3,600	0.75	0.90	0.95	1.00
4,200~15,000	0.85	0.95	0.98	1.00